

# LS5000 DIRECTIONAL CONTROL VALVE 3 POSITION 4 WAY HYDRAULIC KICK OUT



## SPECIFICATIONS:

- Pressure rating  
maximum design and test pressure.....3000 PSI (205 bar)
- Capacity  
Nominal Flow.....25 GPM (95 LPM)
- Maximum Operating Temperature.....180° F (82.2°C)
- Filtration Required (minimum).....10 micrometre
- Maximum Tank Pressure.....500 PSI (35 bar)
- Relief Valve Setting.....2200 PSI (152 bar)  
(The relief is set at 3 GPM and 120° F)
- Detent Release Pressure.....1100 PSI (76 bar)
- Weight.....12 LBS (5.45 kg)

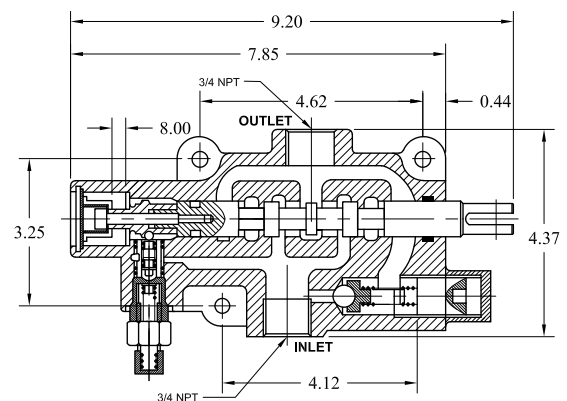
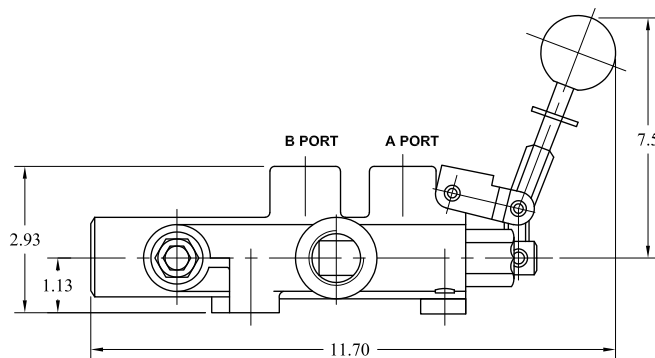


## STANDARD VALVES AVAILABLE:

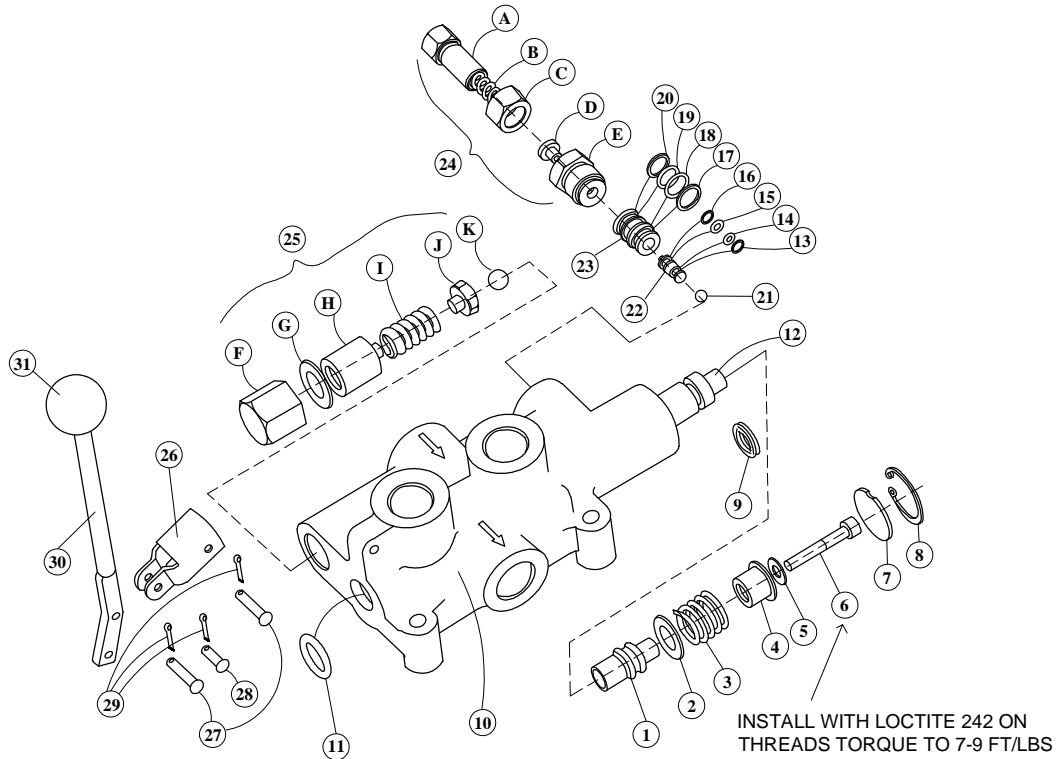
Order code	Work port size	In/out port size
LS 5000-1	1/2 " NPT	3/4" NPT
LS 5000-2	3/4 " NPT	3/4" NPT

## STANDARD FEATURES

- The casting body is made of high tensile strength ductile iron.
- Hydraulically balanced, hard chrome plated spool.
- In neutral position, both work ports blocked, pump unloads to tank.
- Ideal for long splitter applications. Available with 3/4" NPT work ports for higher flow applications.
  
- **PRESSURE RELEASE DETENT**  
This feature provides a pressure release detent for the spool "out" (hand in) position. When the spool is manually placed in the detent position oil is directed to the "B" port (the port away from the handle). When the pressure in the "B" port reaches a preset level the detent will release and the spool will center. The factory setting is 1100 PSI (76 bar). The detent release pressure is adjustable by loosening the jam nut and turning the adjusting screw. Turning the adjusting screw clockwise will increase the detent release pressure and counterclockwise will decrease the detent release pressure.  
Note: if the detent release pressure is set too high the spool will not center. If the pressure is too low the detent will not hold. If cap screw item 6 becomes loose detent will not function properly.
  
- **RELIEF VALVE**  
An adjustable ball spring relief valve is standard on all CV 3000 valves. The standard factory setting is 2200 PSI (152 bar) @ 3 GPM (11.4 L/min) and 120° F (48.9° C). Other settings can be specified. The relief pressure is adjusted by removing nut, and turning the adjusting screw. Turning the adjusting screw clockwise will increase the pressure and counterclockwise will decrease the pressure (a pressure gauge must be installed in the inlet line whenever the relief pressure is adjusted). Do not back out adjusting screw to the point it falls out.



# LS5000 DIRECTIONAL CONTROL VALVE SERVICE PARTS INFORMATION



## LS5000 PARTS LIST

ITEM	DESCRIPTION	ITEM	DESCRIPTION
1	Detent sleeve	22	Piston
2	Washer	23	Piston sleeve
3	Spring	24	Detent adjusting cartridge
4	Stop cup	25	Relief kit
5	Washer	26	Link
6	Cap screw	27	Clevis pin
7	Spacer	28	Clevis pin
8	Snap ring	29	Cotter pin
9	U-cup	30	Handle
10	Valve Body	31	Knob
11	O-ring	A	Pressure Release Detent / Adjusting Screw
12	Valve spool	B	Spring
13	Back-up washer	C	Nut
14	O-ring	D	Spring Seat
15	O-ring	E	Hex Cover
16	Back-up washer	F	Acorn Nut
17	Back-up washer	G	Aluminum Washer
18	O-ring	H	Relief Adjusting Screw
19	O-ring	I	Spring
20	Back-up washer	J	Ball Seat
21	Steel ball	K	Steel Ball