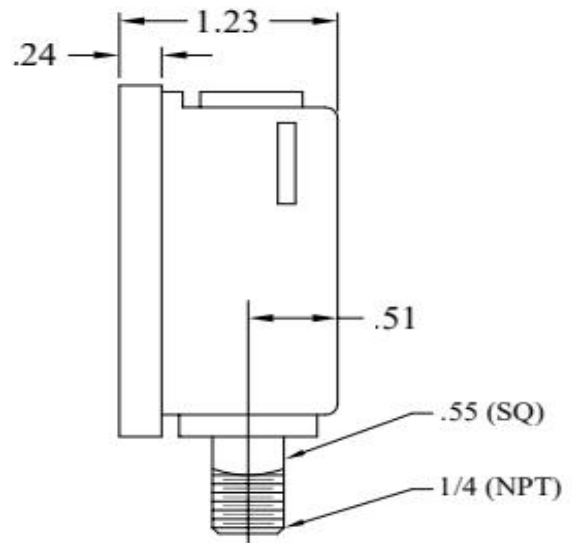
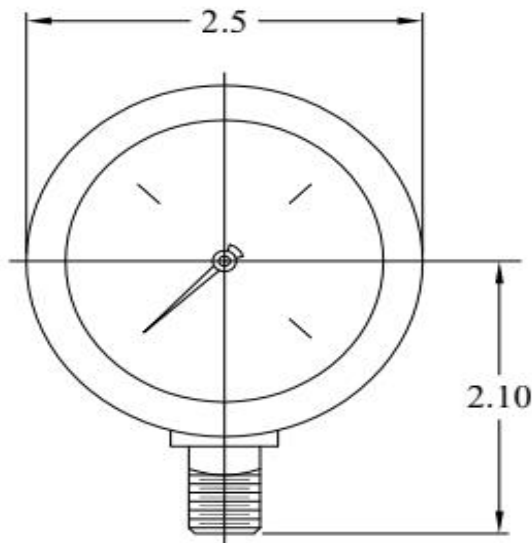


RIO-PRESSURE GAUGES



- Glycerin filled
- Stainless Steel Body
- Aluminum Dial
- Dual Scale PSI/Bar
- Bronze bourdon tube
- 1/4 NPT Bottom Connection
- c/w .5mm internal gauge snubber
- Precision $\pm 2\%$ @ 23° F
- 2 1/2" Diameter dial



Available on Request

Model Code	Range
1	0-30 in hg
4	0-60 PSI
5	0-100 PSI
6	0-160 PSI
7	0-200 PSI
10	0-600 PSI
12	0-1,500 PSI

Standard Stock

Model Code	Range
8	0-300 PSI
11	0-1,000 PSI
13	0-2,000 PSI
14	0-3,000 PSI
15	0-5,000 PSI
17	0-10,000 PSI